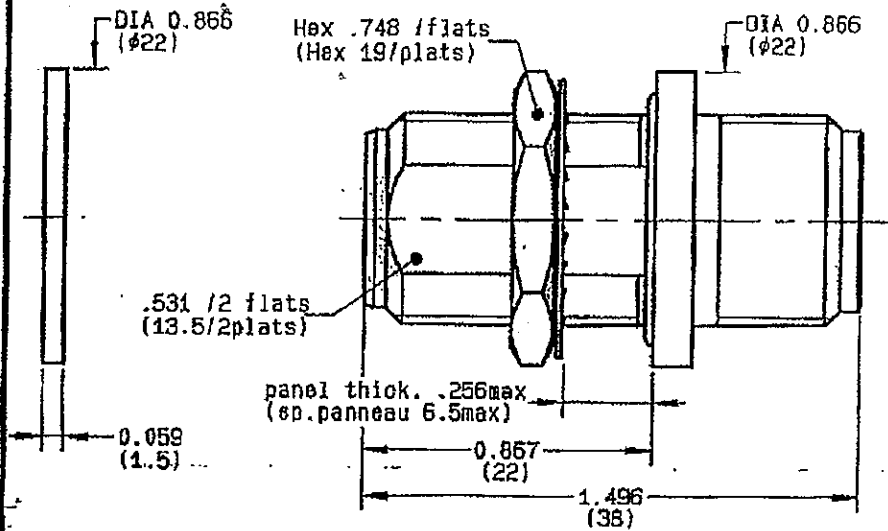


**FEMALE-FEMALE HERMETIC ADAPTOR
BULKHEAD PANEL SEAL**

R161.753.000
SERIES **N**



PERCAGE PANNEAU
MOUNTING HDLE



	MM		INCH	
	maxi	mini	maxi	mini
A	16.1	16	0.634	0.63
B	13.7	13.6	0.539	0.535

NOMINAL IMPEDANCE	50	Ω
FREQUENCY RANGE	0-11	GHz
TEMPERATURE RATING	-55/+155	°C
V.S.W.R	1.45 +	x F(GHz)Maxi
RF INSERTION LOSS	0.10 √F(GHz)	dB Maxi
VOLTAGE RATING	1400	Veff Maxi
DIELECTRIC WITHSTANDING VOLTAGE	2500	Veff Mini
INSULATION RESISTANCE	5000	M ΩMini
HERMETIC SEAL	10-6	Atm.cm ² /s
LEAKAGE (pressurized only)	IP67	
MECHANICAL DURABILITY	500	Cycles
WEIGHT	47.7	gr
SPECIFICATION	E 0462TE00 LEACDAN14HD N° 282 Rev3	

CABLES :

OTHERS CHARACTERISTICS

CABLE RETENTION	NA	N Mini
CENTER CONTACT RETENTION		
Axial force - mating end	27	N Mini
Axial force - opposite end	27	N Mini
Torque	NA	cm.N Mini
RECOMMENDED TORQUES		
Mating	NA	cm.N
Panel nut	500	cm.N
Clamp nut	NA	cm.N

CONNECTOR PARTS	MATERIALS	FINISH	(all values are given in micrometers)
BODY	BRASS	BBR 2	
OUTER CONTACT	BRASS	BBR 2	
CENTER CONTACT	BERYLLIUM COPPER	GOLD 0.5 OVER NICKEL 2	
INSULATOR	PTFE+GLASS BEAD	-	
BASKET	BLACK FLUOROCARBON	-	
OTHERS PIECES	BRASS	BBR 2	

BOND IT

ISSUE
0645 E00

CREATION DATE
19/04/1993

FILE PART-NUMBER



RADIALL®

The information given here is subject to change without notice.
Design changes may be in order to improve the product.

Connect to the future